



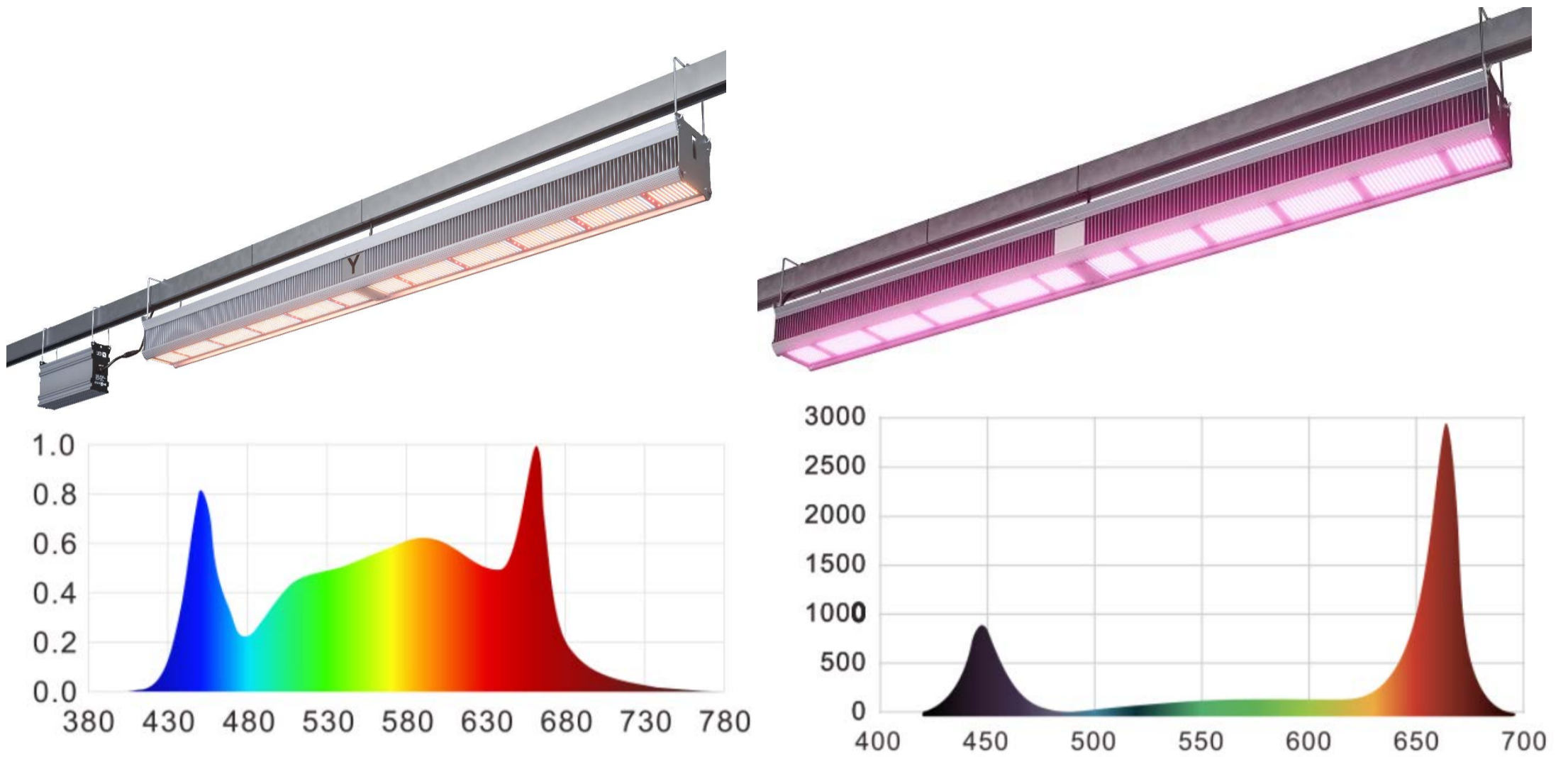
Grow Lights

MODEL NLV-EDEN-T

Designed to deliver more usable light to the plants at ultra high efficiency of $>2.7 \mu\text{mol/J}$



EDEN-T Series is designed as a replacement for the HPS lighting in greenhouses as a supplemental light source or sole source for indoor growing. Optimized for a perfect lighting environment this fixture delivers performance that growers expect. Each full spectrum fixture delivers 1700 $\mu\text{mol/s}$ at $>2.7 \mu\text{mol/J}$ efficacy. A Greenhouse dominant Red (Flower Light) spectrum is also available that delivers 2205 $\mu\text{mol/s}$ at 3.5 $\mu\text{mol/J}$ efficacy.

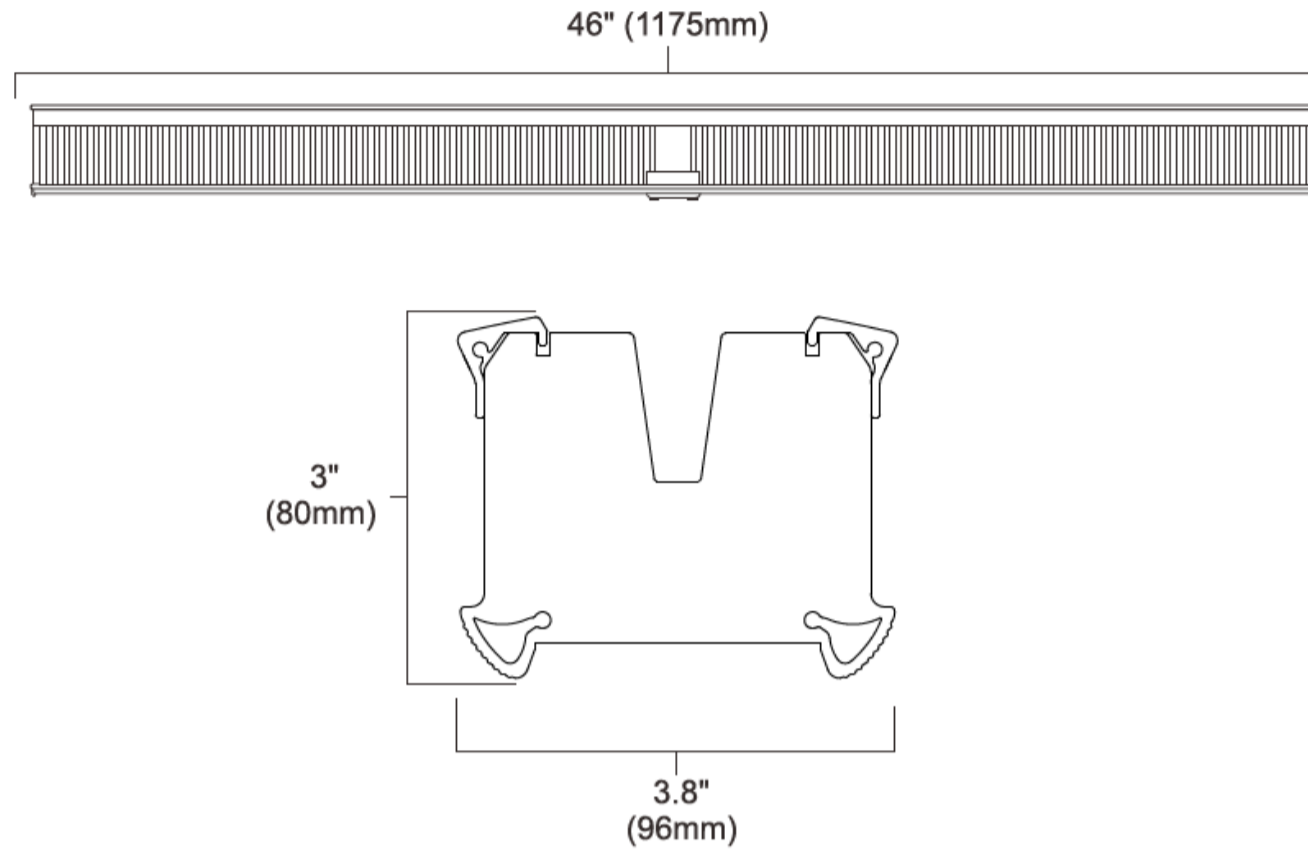


- Slim form factor with linear design to minimize shadowing of plants in greenhouses.
- Perfectly tuned full spectrum grow light covering full span of wavelength range required for all stages of plant growth.
- High yielding plants with maximum energy efficiency for reduced energy and operations cost.
- Dedicated spectrum for flowering supplementary light with two narrow spectral bands for greenhouses.
- 5-year standard warranty with lifetime greater than 50,000 hrs.
- Three full spectrum models; Professional, Mid Version and Economic Version to meet your capital budget
- Two Flower / Red spectrum models; Economic and Professional Versions
- IP65, UL 8800 Compliant, ETL Certified, RoHS, & CE certifications

SPECIFICATIONS

Parameters	Full Spectrum Light	Flower only Spectrum
Input Power	630 W	
Efficacy	2.7 $\mu\text{mol}/\text{J}$	3.5 $\mu\text{mol}/\text{J}$
PPF	1700 $\mu\text{mol}/\text{s}$	2205 $\mu\text{mol}/\text{s}$
Input Voltage	Autosensing 100-277V	
Dimming	Manual: 250W / 380W / 500W / 630 W / EXT 0-10V dimming	
Mounting Height	$\geq 6''$ above canopy	
Lifetime	50,000 hrs	
Working Temperature	-40°C to 40°C	
LED light source	Samsung, Lumileds, Seoul Semi, and Osram	
Fixture Dimensions	46" x 3.8" x 3"	
Fixture Weight	27.5Lb (12.5Kg)	

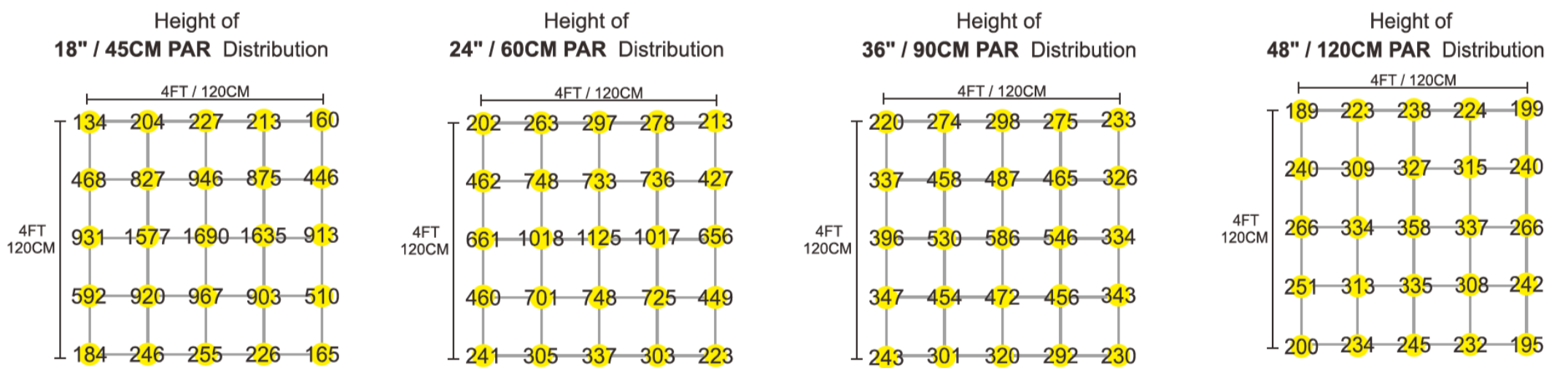
PHYSICAL DIMENSIONS



MAX AMPERAGE BY VOLTAGE SERVICE

VOLTAGE (V)	100	208	240	277
AMPERAGE (A)	6.30	3.03	2.63	2.27

PAR DISTRIBUTION – FULL SPECTRUM



ORDERING INFORMATION

MODEL	SPECTRUM-EFFICACY	PPF	VARIANT
NLV-EDNT-FS275-630W-PRO-S-1B-47	Full Spectrum – 2.7 $\mu\text{mol}/\text{J}$	1700 $\mu\text{mol}/\text{s}$	PRO
NLV-EDNT-FS275-630W-MID-S-1B-47	Full Spectrum – 2.7 $\mu\text{mol}/\text{J}$	1700 $\mu\text{mol}/\text{s}$	MID
NLV-EDNT-FS275-630W-ECO-C-1B-47	Full Spectrum – 2.7 $\mu\text{mol}/\text{J}$	1700 $\mu\text{mol}/\text{s}$	ECO
NLV-EDNT-RS315-630W-ECO-C-1B-47	Flower Spectrum – 3.1 $\mu\text{mol}/\text{J}$	1950 $\mu\text{mol}/\text{s}$	ECO
NLV-EDNT-RS350-630W-PRO-C-1B-47	Flower Spectrum – 3.5 $\mu\text{mol}/\text{J}$	2205 $\mu\text{mol}/\text{s}$	PRO



Contact Info

Address: 177 Park Ave, #200, San Jose CA 95113

Email: info@nlvlighting.com

Phone number: +1-408-641-1848

www.nlvlighting.com

